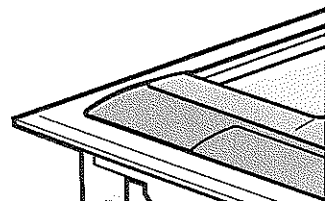
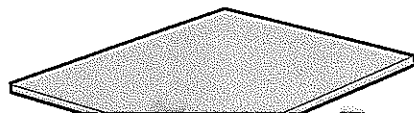
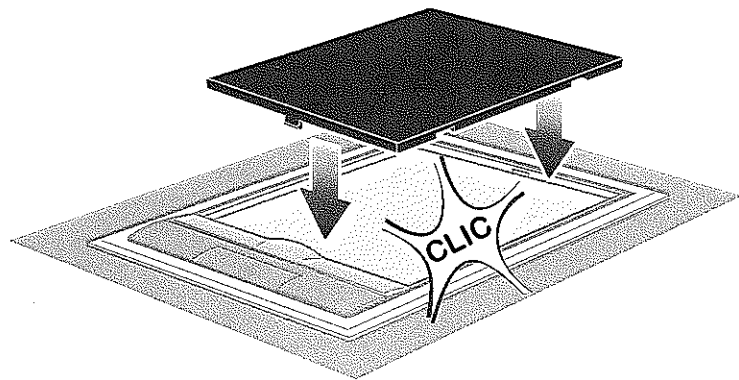
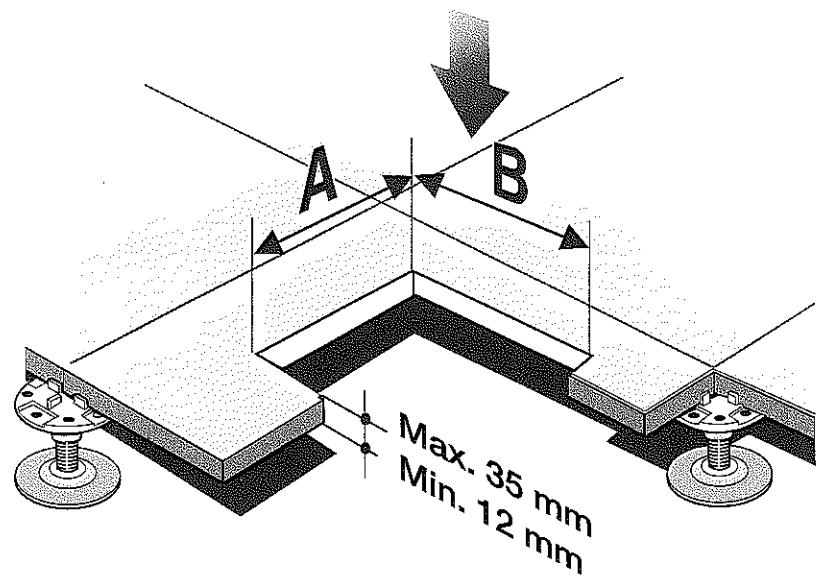
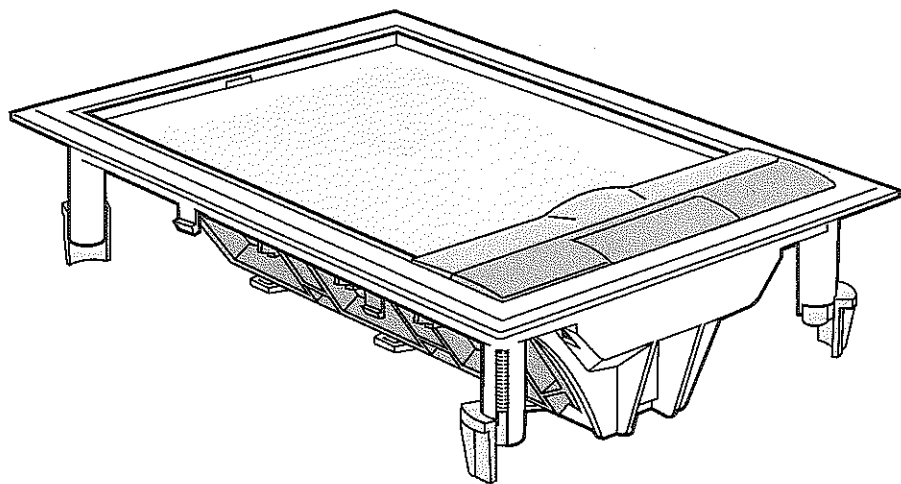


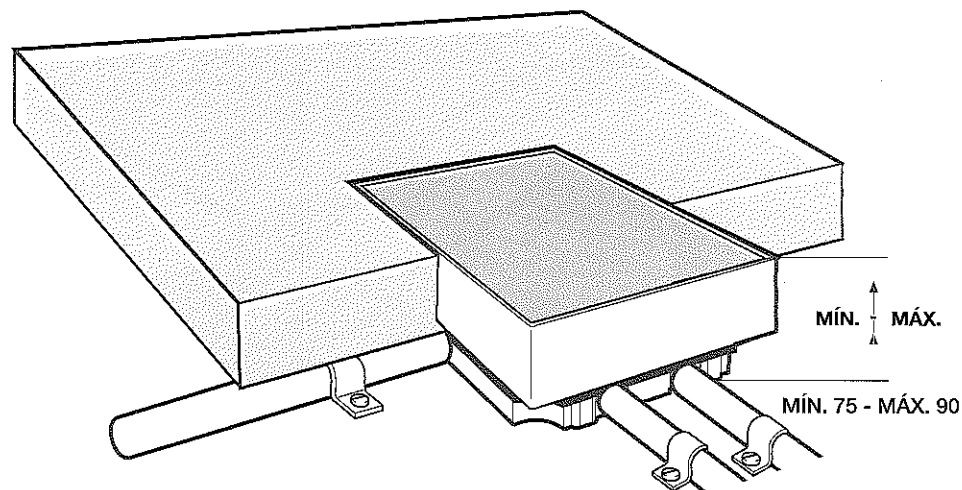
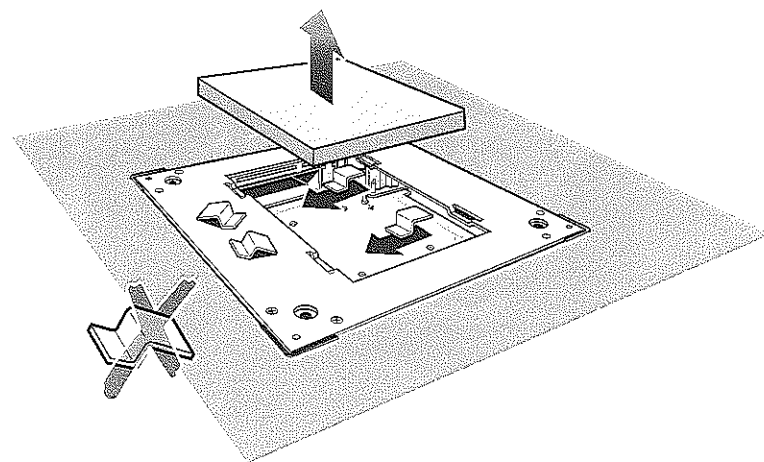
X44.108T  
X44.112T



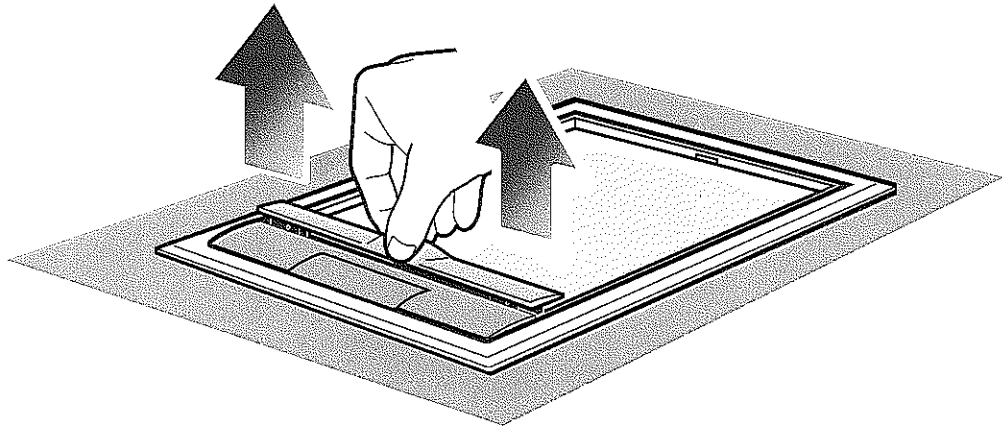


	A	B
X44.108	164   $+1$ mm	182   $+1$ mm
X44.112	164   $-0$	246   $-0$

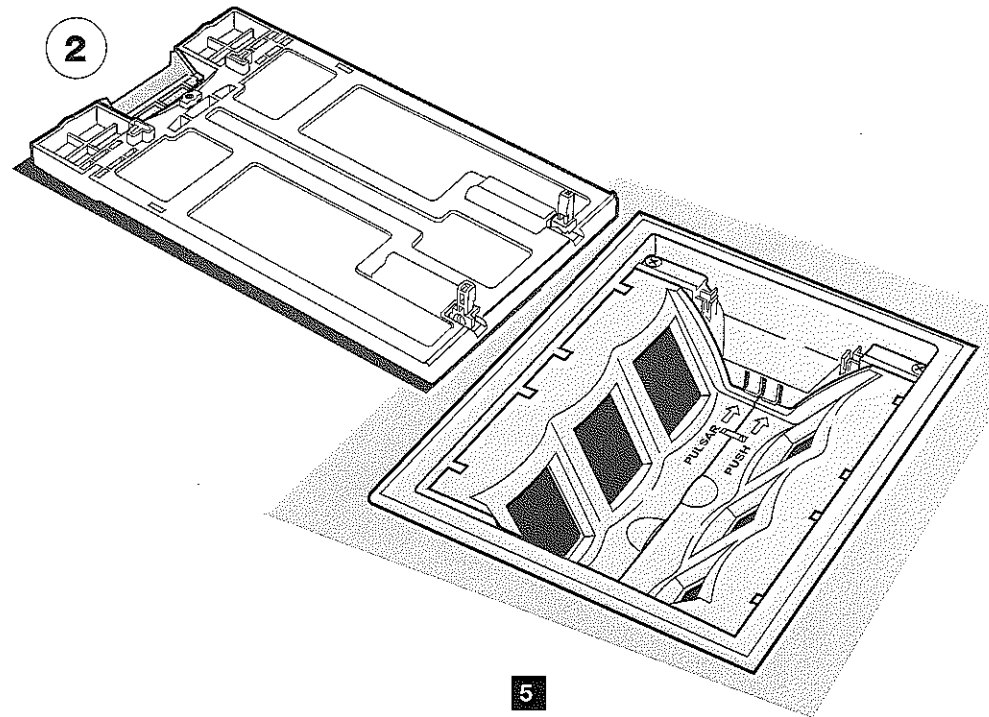
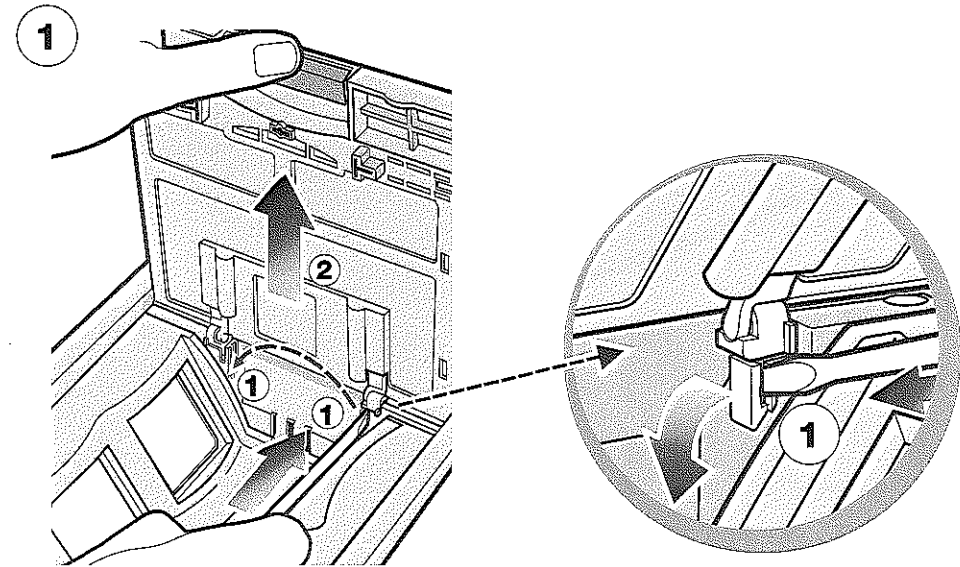
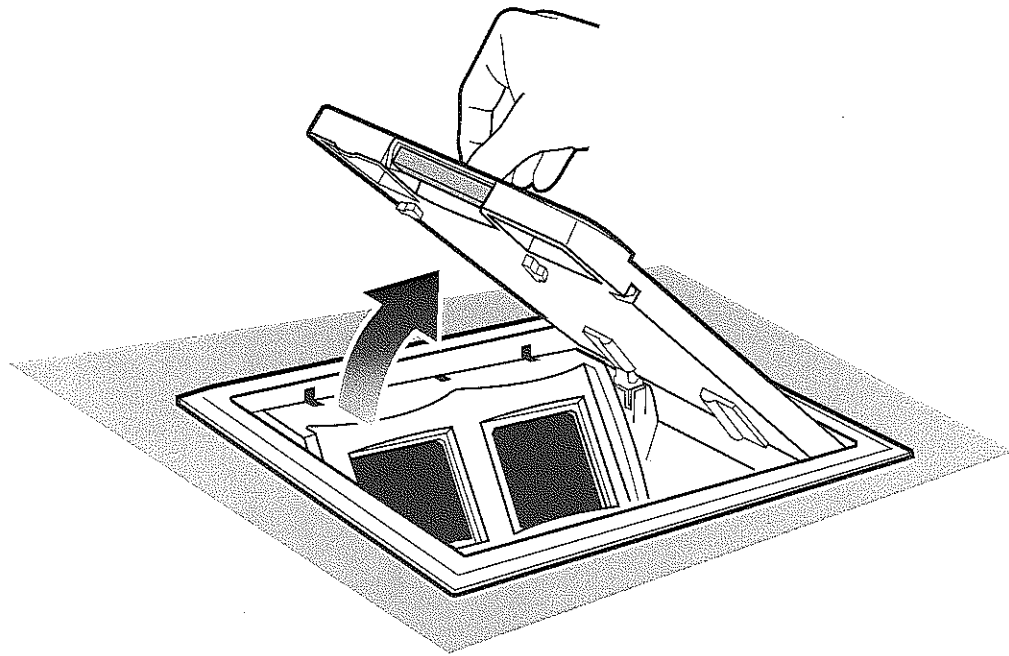
2



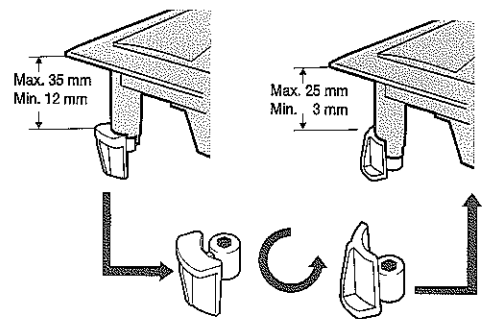
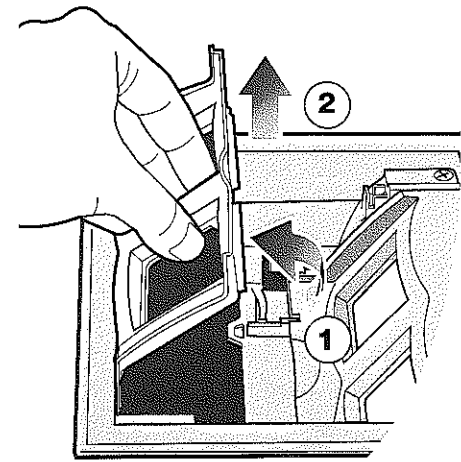
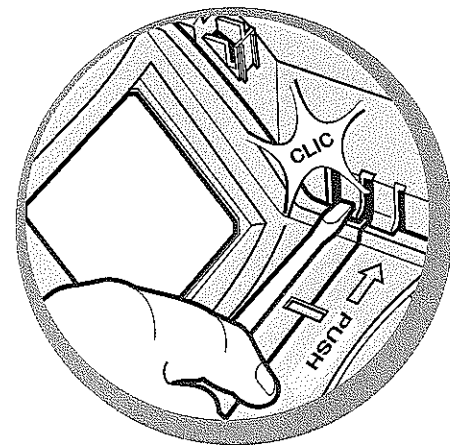
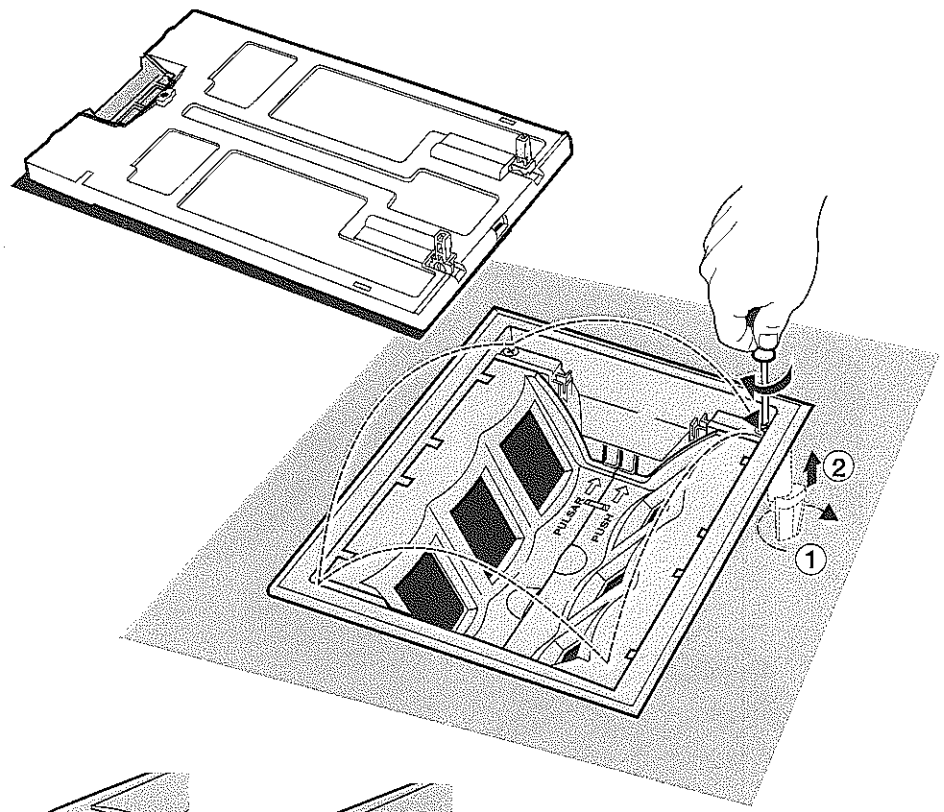
3



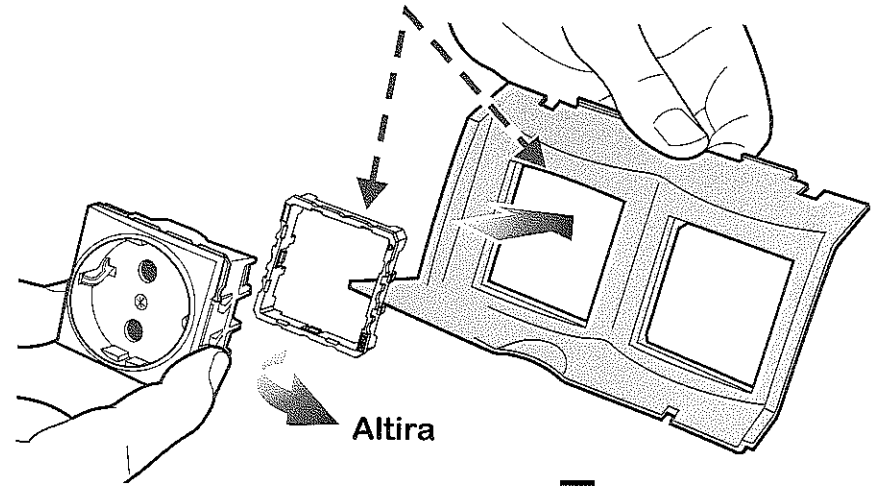
4



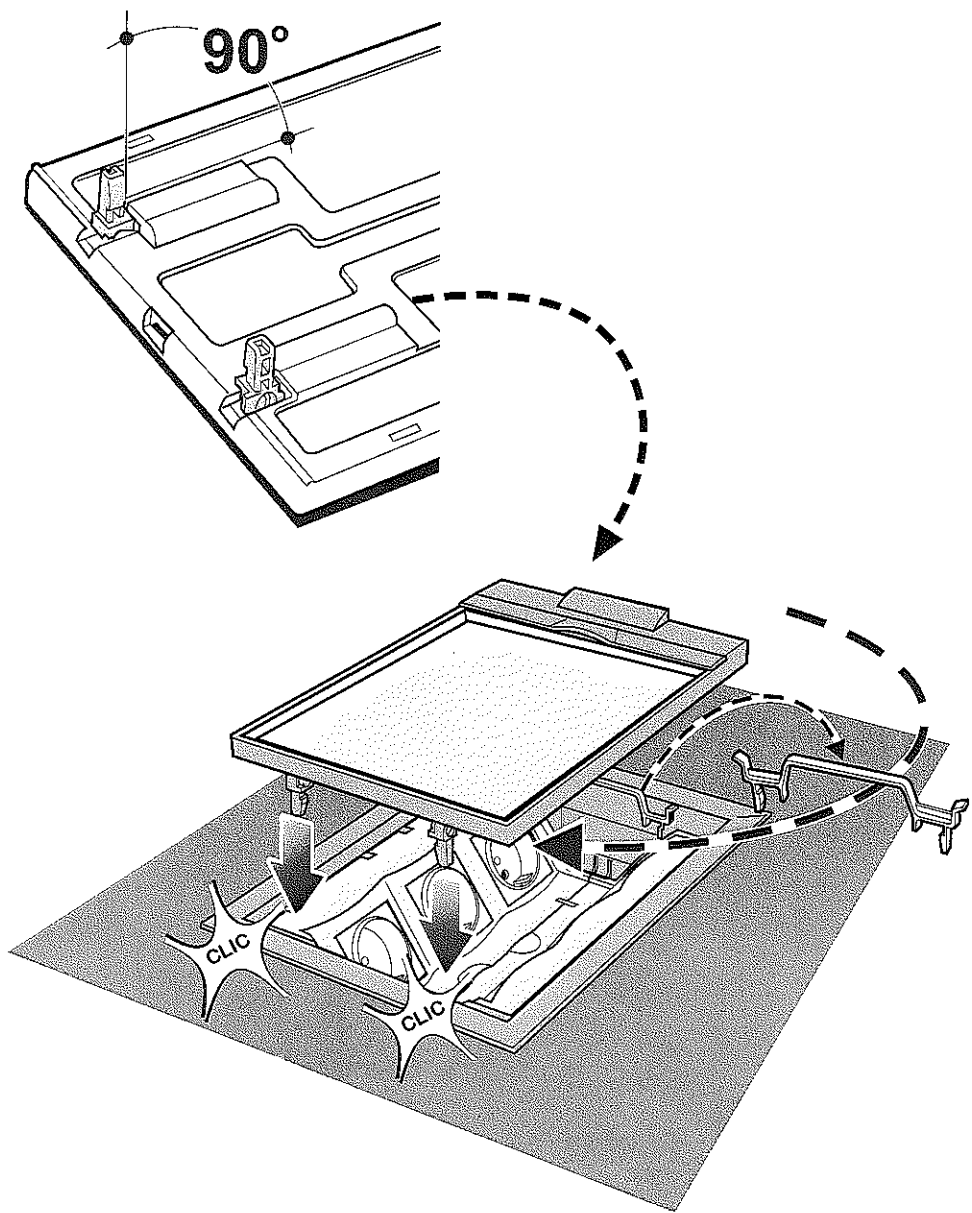
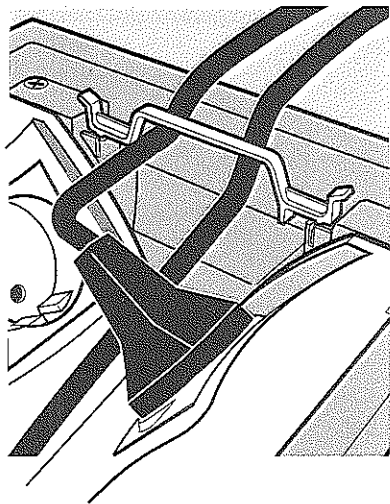
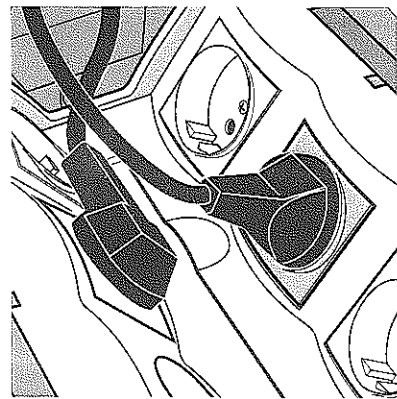
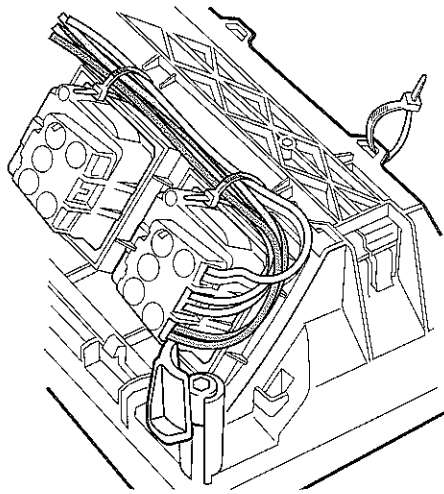
5

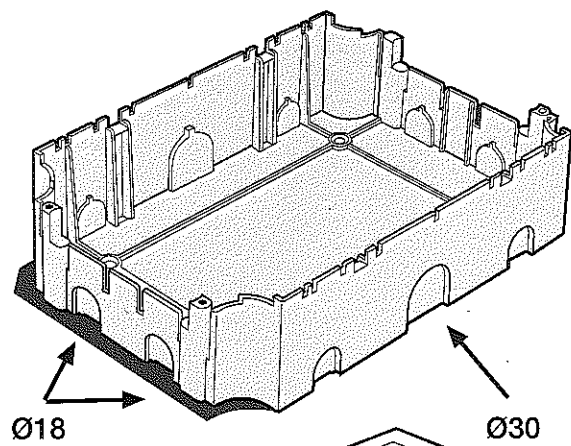


6



7





X44.708  
X44.712

